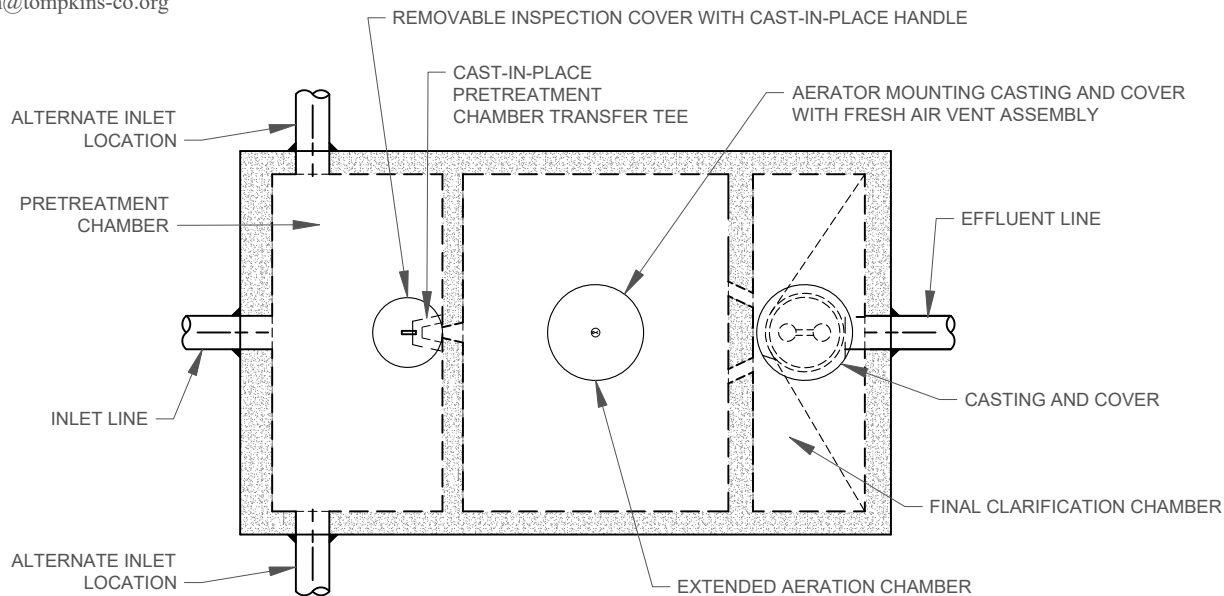


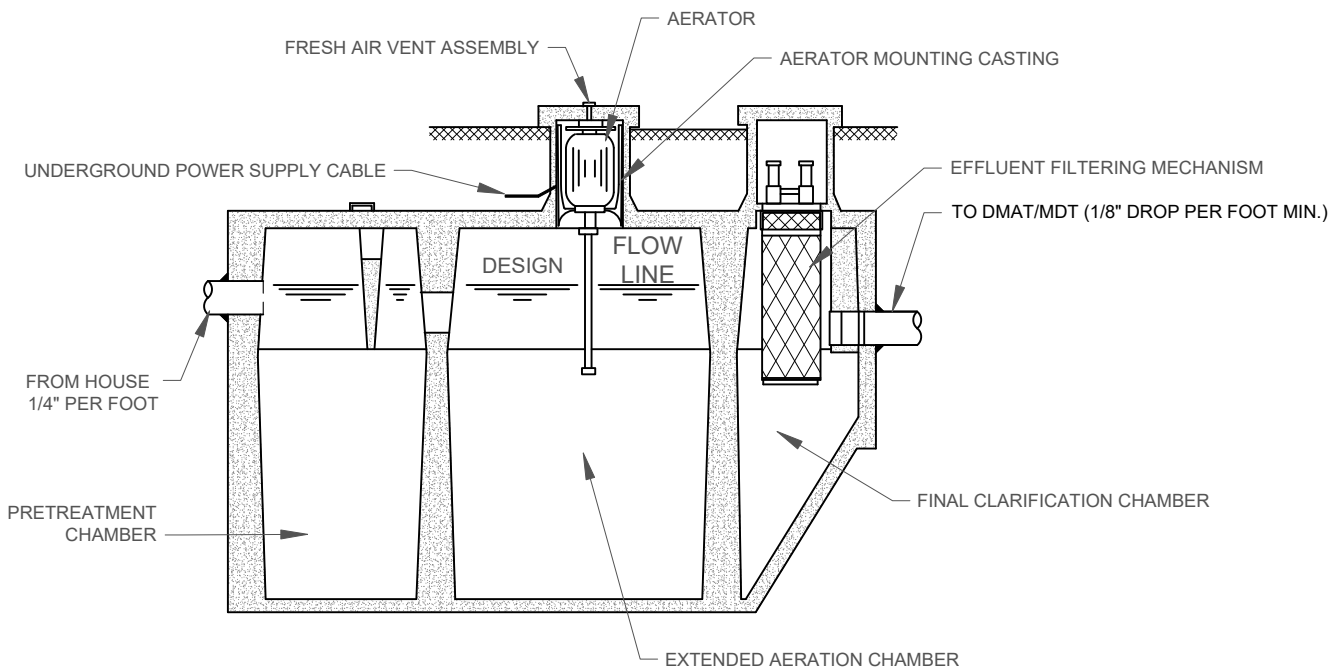
Details and Specifications #14 Enhanced Treatment Unit (ETU) Suspended Growth - Aerated

ENVIRONMENTAL HEALTH DIVISION
 www.tompkinscountyny.gov/health/eh
 email: tceh@tompkins-co.org

Ph: (607) 274-6688
 Fx: (607) 274-6695



TOP VIEW - NOT TO SCALE



SECTION VIEW - NOT TO SCALE

Details and Specifications #14 Enhanced Treatment Unit (ETU) Suspended Growth - Aerated

ADDITIONAL ENHANCED TREATMENT UNIT (ETU) SPECIFICATIONS:

1. ENHANCED TREATMENT UNITS (ETU) PROVIDE IMPROVED BIOLOGICAL AND PHYSICAL TREATMENT OF WASTEWATER BY REDUCING THE AMOUNT OF ORGANIC CONTENT PRIOR TO DISTRIBUTION TO AN ABSORPTION AREA. THIS SPECIFICATION IS FOCUSED ON SUSPENDED GROWTH SYSTEMS.
2. THE ETU SHALL BE MAINTAINED, REPAIRED AND REPLACED WHEN NECESSARY TO PROVIDE A PROPERLY OPERATING TREATMENT SYSTEM. THIS MAINTENANCE WILL BE PERFORMED BY A CERTIFIED TECHNICIAN AND AN OPERATIONAL PERMIT WILL BE ISSUED AND NEED TO BE RENEWED FROM THE TCHD FOR THE LIFE OF THE SYSTEM.
3. REFER TO THE SEPARATION DISTANCES TABLE FOR MORE INFORMATION ON REQUIRED VERTICAL SEPARATION DISTANCES TO BEDROCK.
4. WHEN THESE TANKS ARE INSTALLED IN AREAS OF HIGH GROUND WATER LEVELS, FLOTATION COLLARS OR OTHER BUOYANCY CONTROL METHODS AS RECOMMENDED BY THE MANUFACTURER SHOULD BE USED TO PREVENT FLOTATION WHEN THE TANK IS PUMPED.**
5. THE ETU SHALL HAVE A LABEL INDICATING COMPLIANCE WITH THE STANDARDS FOR A CLASS I UNIT AS DESCRIBED IN THE NSF STANDARD 40, STANDARD 245 OR EQUIVALENT TESTING. THE MINIMUM RATED DAILY CAPACITY OF THESE UNITS SHALL BE 400 GALLONS. *
6. THE ETU SHALL HAVE AN EFFLUENT FILTERING MECHANISM AS PART OF THE MANUFACTURED PRODUCT OR AN EFFLUENT FILTER WITH A LABEL INDICATING COMPLIANCE WITH NSF STANDARD 46 OR EQUIVALENT INSTALLED ON THE SYSTEM OUTLET PRIOR TO DISCHARGE TO THE ABSORPTION AREA.*
7. CONTACT THE LOCAL CODE ENFORCEMENT OFFICER FOR REGULATIONS AND SPECIFICATIONS REGARDING THE NATIONAL ELECTRIC CODE, AS WELL AS LOCAL REGULATIONS. HEALTH DEPARTMENT APPROVAL OF A SEWAGE SYSTEM WITH AN ETU WILL NOT CONSTITUTE APPROVAL OF THE ELECTRICAL EQUIPMENT OR CONNECTIONS.