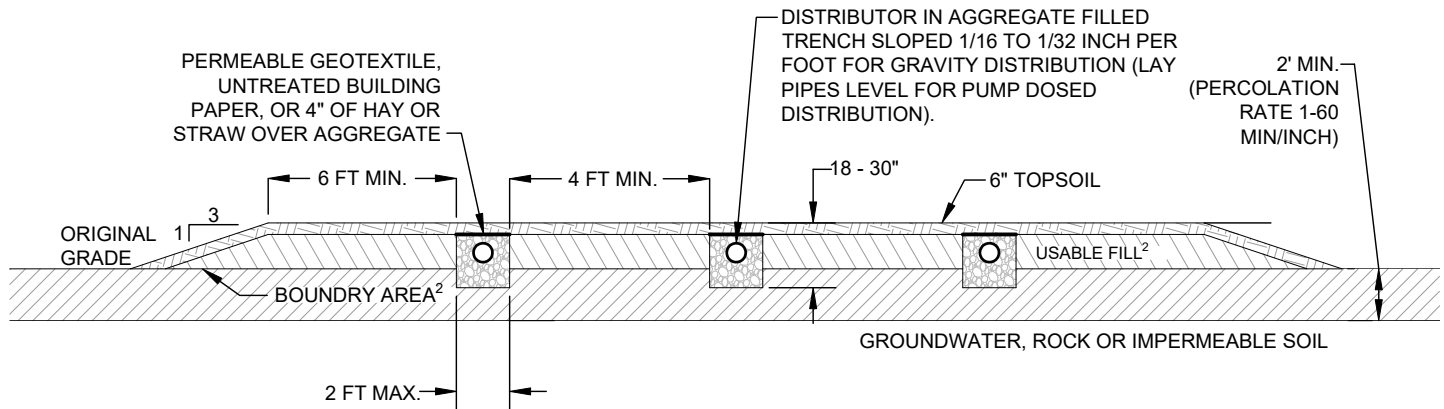


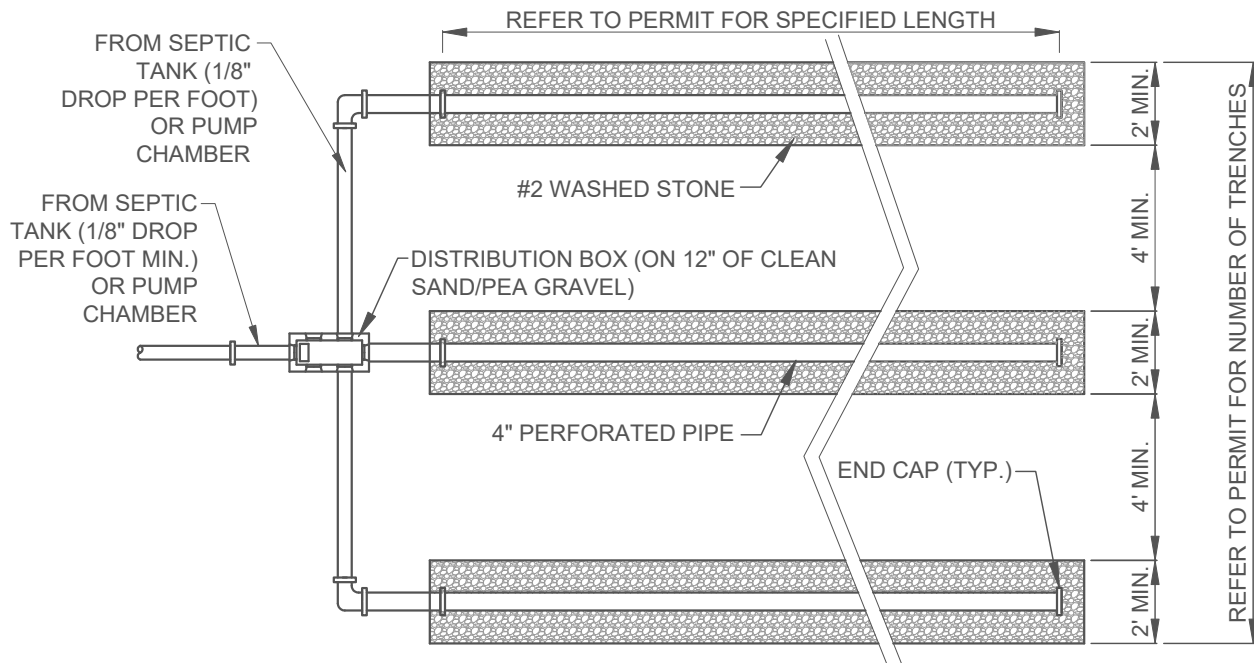
# Details and Specifications #12 Shallow Absorption Trenches

ENVIRONMENTAL HEALTH DIVISION  
www.tompkinscountyny.gov/health/eh  
email: tceh@tompkins-co.org

Ph: (607) 274-6688  
Fx: (607) 274-6695



SECTION VIEW - NOT TO SCALE



TOP VIEW - NOT TO SCALE

### ADDITIONAL SPECIFICATIONS:

1. BOTTOM OF ALL TRENCHES SHALL NOT BE ABOVE ORIGINAL USABLE SOIL AND TRENCHES SHOULD PREFERABLY BE AT LEAST 6" BELOW ORIGINAL GRADE.
2. USABLE FILL SHOULD HAVE A PERCOLATION RATE SIMILAR BUT NOT FASTER THAN THE USABLE SOIL PERCOLATION RATE. USE CLEAN FILL FREE OF LARGE STONES, TREE ROOTS, "CHUNKS" OF CLAY, ETC. MIX FILL SOIL WITH IN-SITU SOIL AT BOUNDRY AREA.
3. MAXIMUM DEPTH OF USABLE FILL PLUS SIX INCHES OF TOPSOIL SHALL NOT EXCEED 30 INCHES.
4. TRENCH BOTTOMS SHALL BE LEVEL. TRENCHES SHALL BE PARALLEL TO GROUND CONTOURS.
5. ON SLOPED SITES, A DIVERSION DITCH SHALL BE CONSTRUCTED UPHILL FROM THE FILL TO PREVENT SURFACE RUNOFF FROM ENTERING THE FILL.
6. FILL SHALL EXTEND AT LEAST SIX FEET BEYOND ENDS OF TRENCHES BEFORE STARTING 1 ON 3 EDGES OF FILL.