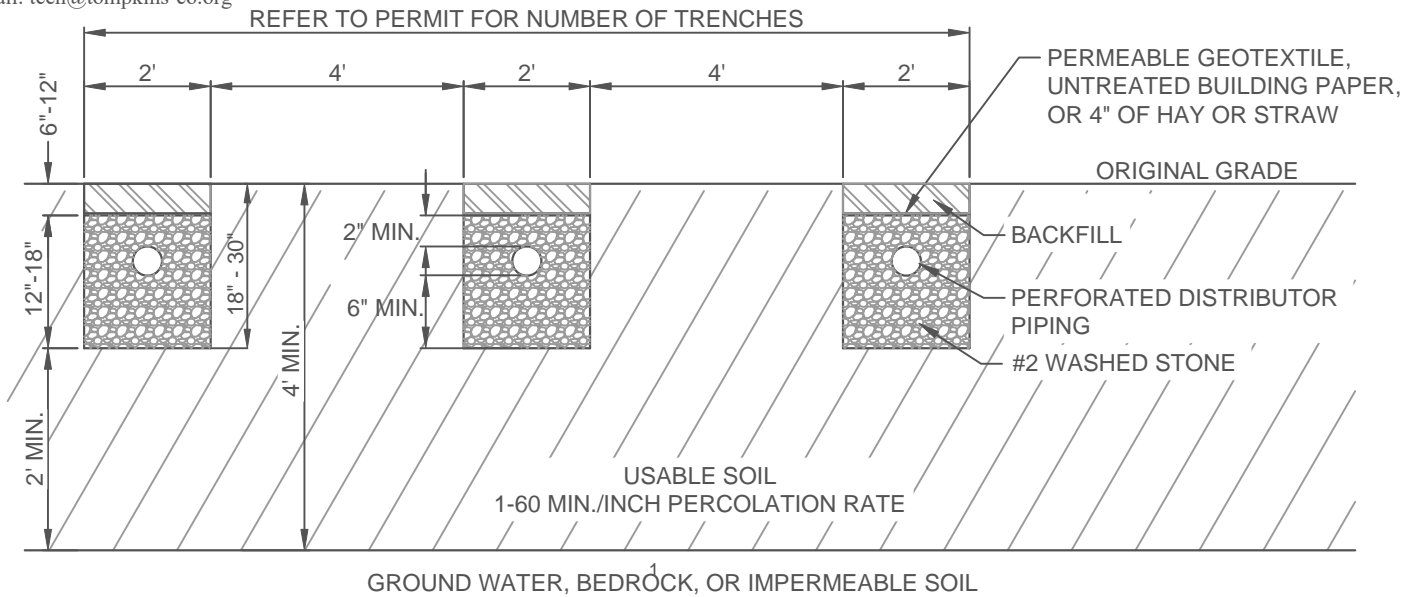
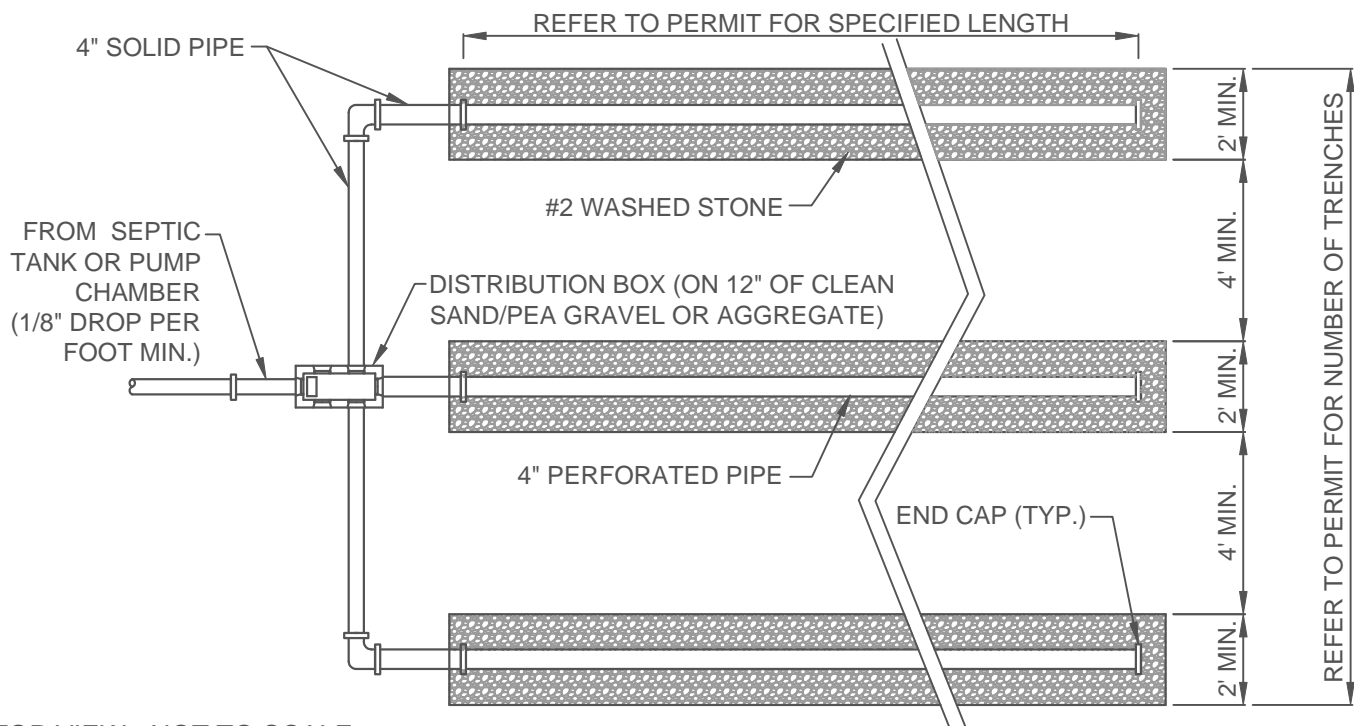


# Details and Specifications #6 Absorption Trenches



**SIDE VIEW - NOT TO SCALE**



**TOP VIEW - NOT TO SCALE**

**ADDITIONAL SPECIFICATIONS:**

1. REFER TO SEPARATION DISTANCES TABLE FOR MORE INFORMATION ON VERTICAL SEPARATION DISTANCES TO BEDROCK.
2. DO NOT INSTALL TRENCHES IN WET SOIL.
3. INSTALL TRENCHES PARALLEL TO CONTOURS.
4. INSTALL TRENCHES AS SHALLOW AS POSSIBLE MEETING ABOVE NOTED MINIMUM DEPTHS.
5. RAKE SIDES AND BOTTOM OF TRENCHES PRIOR TO PLACING GRAVEL.
6. ENDS OF ALL DISTRIBUTOR PIPES MUST BE CAPPED.
7. PERFORATED DISTRIBUTION LINES SHALL BE 1/16" TO 1/32" DROP PER FOOT SLOPE FOR GRAVITY AND LEVEL FOR PUMPED/DOSING.